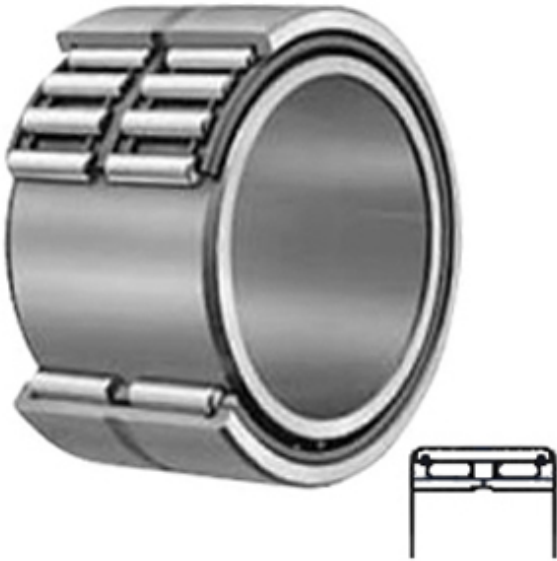




Qinyuan Bearing Manufacturing Co., Ltd.



2.165 Inch | 55 Millimeter x 3.15 Inch | 80
 Millimeter x 1.772 Inch | 45 Millimeter
**CONSOLIDATED BEARING NA-6911 Needle
 Non Thrust Roller Bearings**

Bearing No. NA-6911

NA-6911 Bearing 2D drawings and 3D CAD models

Category	Needle Non Thrust Roller Bearings
Inventory	0.0
Manufacturer Name	CONSOLIDATED BEARING
Minimum Buy Quantity	N/A
Weight	0.802
EAN	0644075079266
Product Group	B04144
Rolling Element	Needle Roller Bearing
Component	Complete with Outer and Inner Ring
Enclosure	Open
Self Aligning	No
Retainer	Yes
Number of Rows of Rollers	Double Row
Separable	Inner Ring - Both Sides
Closed End	No
Inch - Metric	Metric
Relubricatable	Yes
Thrust Bearing	No
Long Description	55MM Bore; 80MM Outside Diameter; 45MM Width; Needle Roller Bearing; Complete with Outer and Inner Ring;



Qinyuan Bearing Manufacturing Co., Ltd.

	Open Enclosure; No Self Aligning; Retainer; Double Row of Rollers; Inner Ring - Both Sides Sepa
Other Features	Plain Inner Ring Outer Ring with 2 Retaining Rings Oil Hole
Category	Needle Non Thrust Roller Bearing
UNSPSC	31171512
Harmonized Tariff Code	8482.40.00.00
Noun	Bearing
Keyword String	Needle
Manufacturer URL	http://www.consbrgs.com
Manufacturer Item Number	NA-6911
Weight / LBS	1.77
d	2.165 Inch 55 Millimeter
D	3.15 Inch 80 Millimeter
B	1.772 Inch 45 Millimeter